



ELECTRACONTROL

Sheraton Cairo
BMS 2020

Building Management System



System Description

Located on the banks of the River Nile, Sheraton Cairo Hotel & Casino offers effortless service and modern accommodations in the heart of Cairo, Egypt. Select from a variety of dining options, including 24-hour room service and our popular Italian restaurant.

Our Building Management System by Automated Logic is designed and executed to offer a complete building management system solution for controlling, monitoring and reporting all MEP systems.

Stake holders

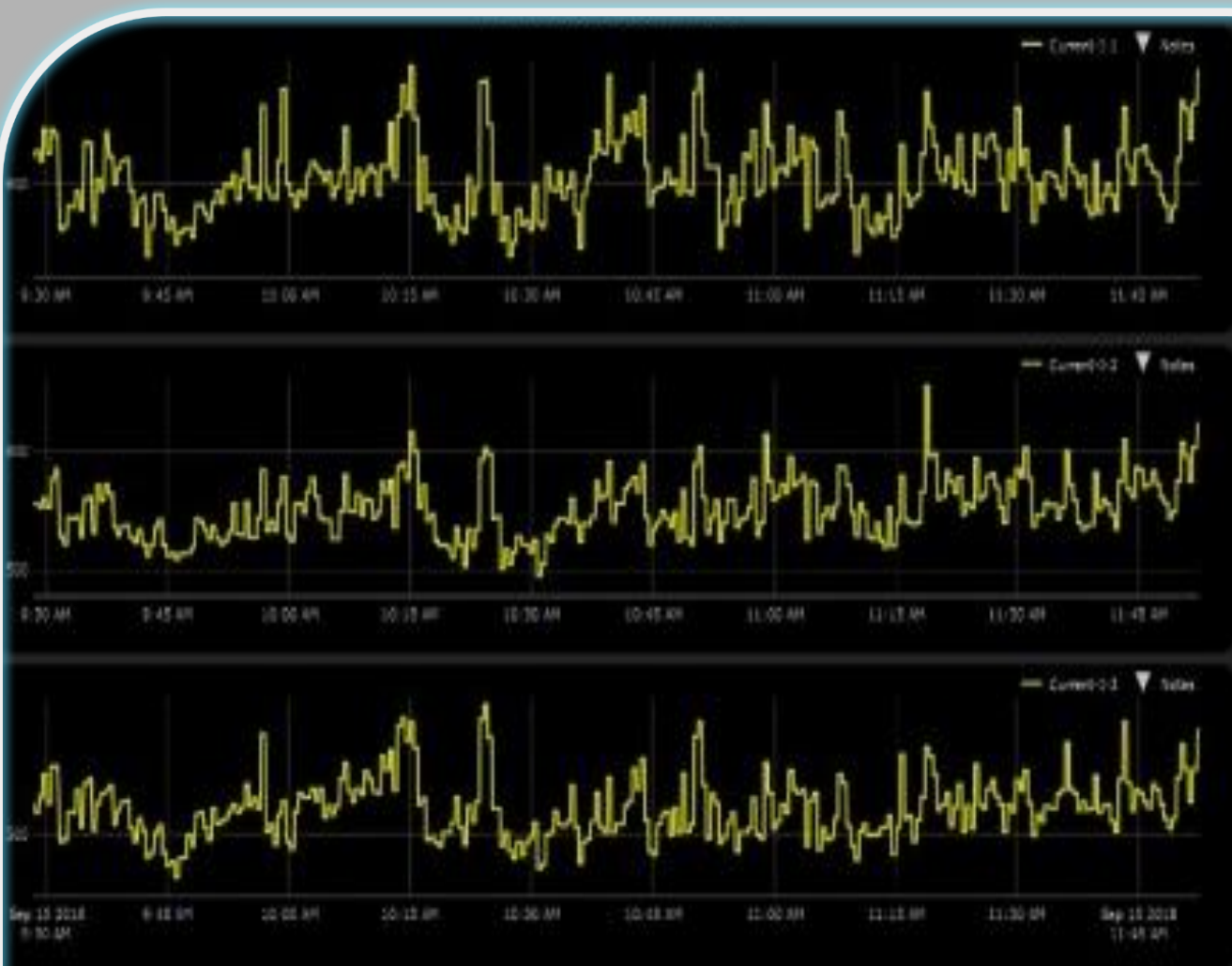
- Owner: Sheraton Cairo
- Main Contractor : Sheraton Cairo
- MEP Consultant : MED (Eng. Abdulhamid Al Bakry)



System Components

HVAC Systems

- Chilled Water System Station
- Condensed Water System Station
- HVAC Hot Water System
- Domestic Water Hot Water System
- Air Handling Units (Qty:55)
- Fan Coil units (Qty:526)
- Variable Air Volumes (Qty:16)
- Exhaust / Fresh / Pressurization air fans (Qty:110)



Electrical Systems

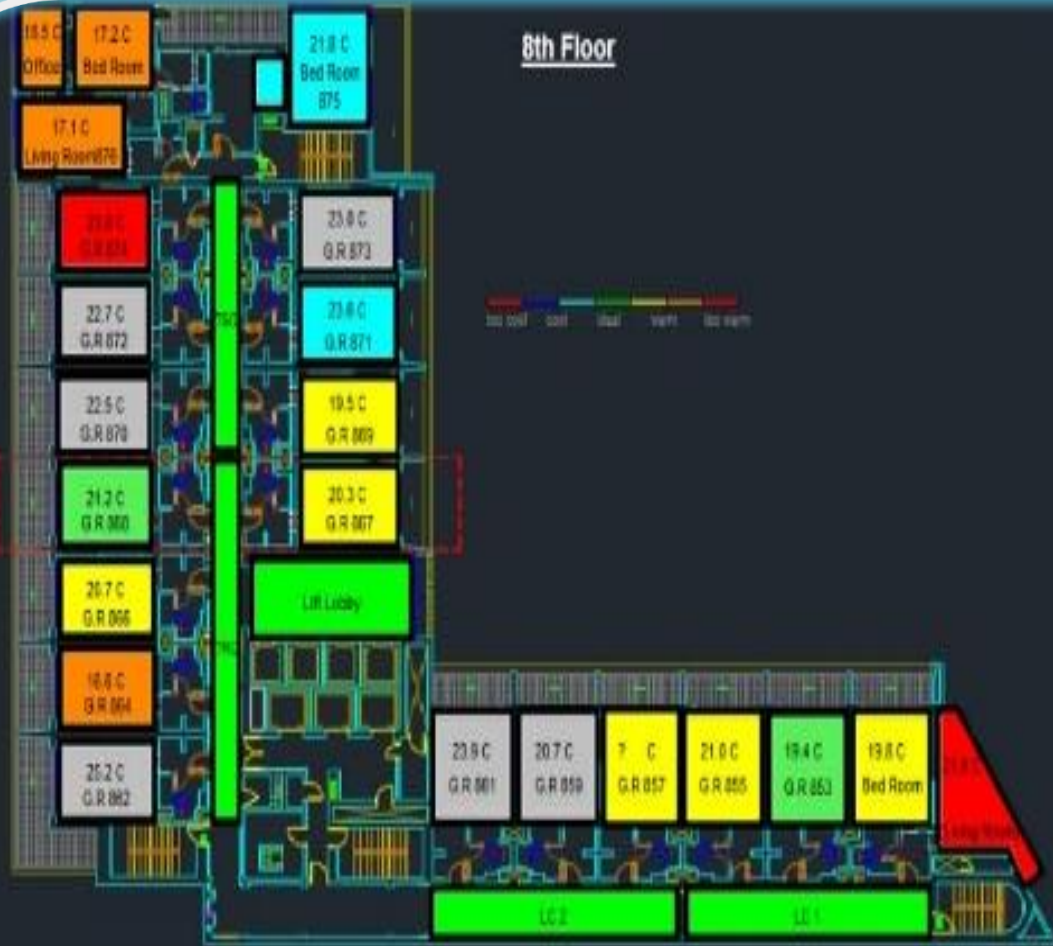
- Medium Voltage Switchgear
- Ring Main Unit
- MDB, E MDB & Generator distribution panels
- Generators
- Light Current (CCTV, Fire Alarm , Access Control ,etc..)

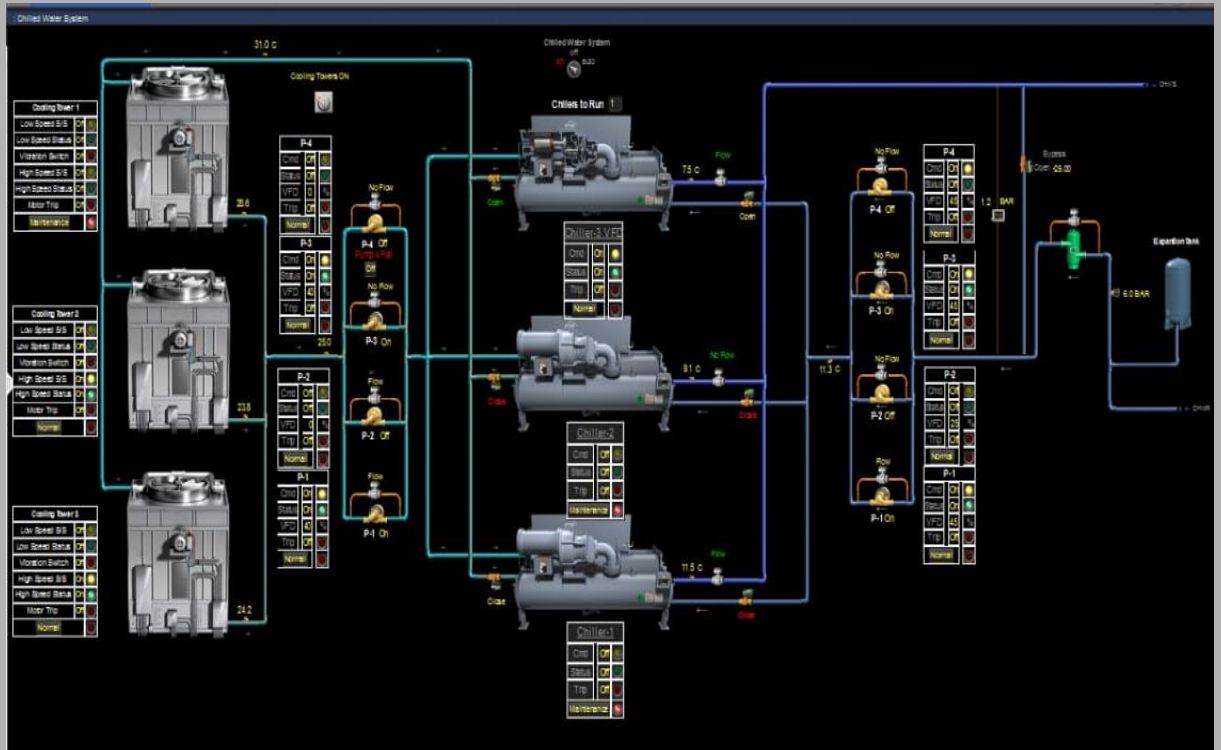
The screenshot displays a BMS interface with a sidebar on the left and a main alert list on the right. The sidebar includes buttons for 'Acknowledge', 'Force Normal', 'Ack', 'Copy to Clipboard', and a search field. A category filter is set to 'Water Alarm'. The main area shows a list of events with columns for time, status, and description.

Time	Status	Description
09/15/2018 12:19:08PM	Waiting for Normal	The zone temperature is too cool. ZTMP_LO at Sub 1676 (2) / 16 FCU 2 (Bed Room)
09/15/2018 12:18:08PM	Closed	The zone temperature has returned to normal. ZTMP_LO at Sub 1676 (2) / 16 FCU 2 (Bed Room)
09/15/2018 12:07:33PM	Closed	The zone temperature has returned to normal. ZTMP_Hi at Guest Rooms / G.R 1007
09/15/2018 11:59:55AM	Closed	The zone temperature has returned to normal. ZTMP_Hi at Sub 476 (2) / 4 FCU 1 (Living Room)
09/15/2018 11:56:48AM	Closed	The zone temperature has returned to normal. ZTMP_Hi at Guest Rooms / G.R 1009
09/15/2018 11:55:35AM	Closed	HW Return Pump-2 Trip has returned to normal. HW Return Pump-2 Trip at Domestic Hot Water System B2 / Waterfill basement 2
09/15/2018 11:55:07AM	Closed	HW Return Pump-3 Trip. HW Return Pump-3 Trip at Domestic Hot Water System B2 / Waterfill basement 2
09/15/2018 11:49:26AM	Closed	The zone temperature is too cool. ZTMP_LO at Sub 1676 (2) / 16 FCU 2 (Bed Room)
09/15/2018 11:49:05AM	Closed	The zone temperature has returned to normal. ZTMP_LO at Sub 1676 (2) / 16 FCU 2 (Bed Room)
09/15/2018 11:48:32AM	Waiting for Normal	The zone temperature is too warm. ZTMP_Hi at Guest Rooms / G.R 1067
09/15/2018 11:48:32AM	Closed	The supply fan OGP has returned to normal. SF_FD FLOOR at 20th Floor / AHU 4 (23 Halls)
09/15/2018 11:48:16AM	Closed	The supply fan status has returned to normal. SF_FAL at 20th Floor / AHU 4 (23 Halls)
09/15/2018 11:34:41AM	Closed	The zone temperature has returned to normal. ZTMP_LO at Sub 675 (1) / E FCU 2 (Bed Room)
09/15/2018 11:34:38AM	Closed	The zone temperature has returned to normal. ZTMP_LO at Guest Rooms / G.R 1067

Mechanical Systems

- Plumbing System (Qty :12)
- Fire Fighting Pumps





Graphics Properties Alarms Trends Logic Reports

Chiller#3 VFD

Chiller#3 VFD

25.5 C

30.4 C

7.2 C

11.0 C

System Alarm

Chiller	
Start	Off
Run Status	Demand
System ALarm	Normal
Condenser Water Flow	On
VFD	92.0 %
Chilled Water Setpoint	7.2 C
Entering Condenser Water	25.5 C
Leaving Condenser Water	30.4 C
Entering Chilled Water	11.0 C
Leaving Chilled Water	7.2 C
Oil Temperature	52.9 C
Line Active Voltage	366 V
Line Active Current	447 A
Service Hours	2715 H

Leaving Chilled Water

Leaving Chilled Water

Notes

7.5

7.25

7

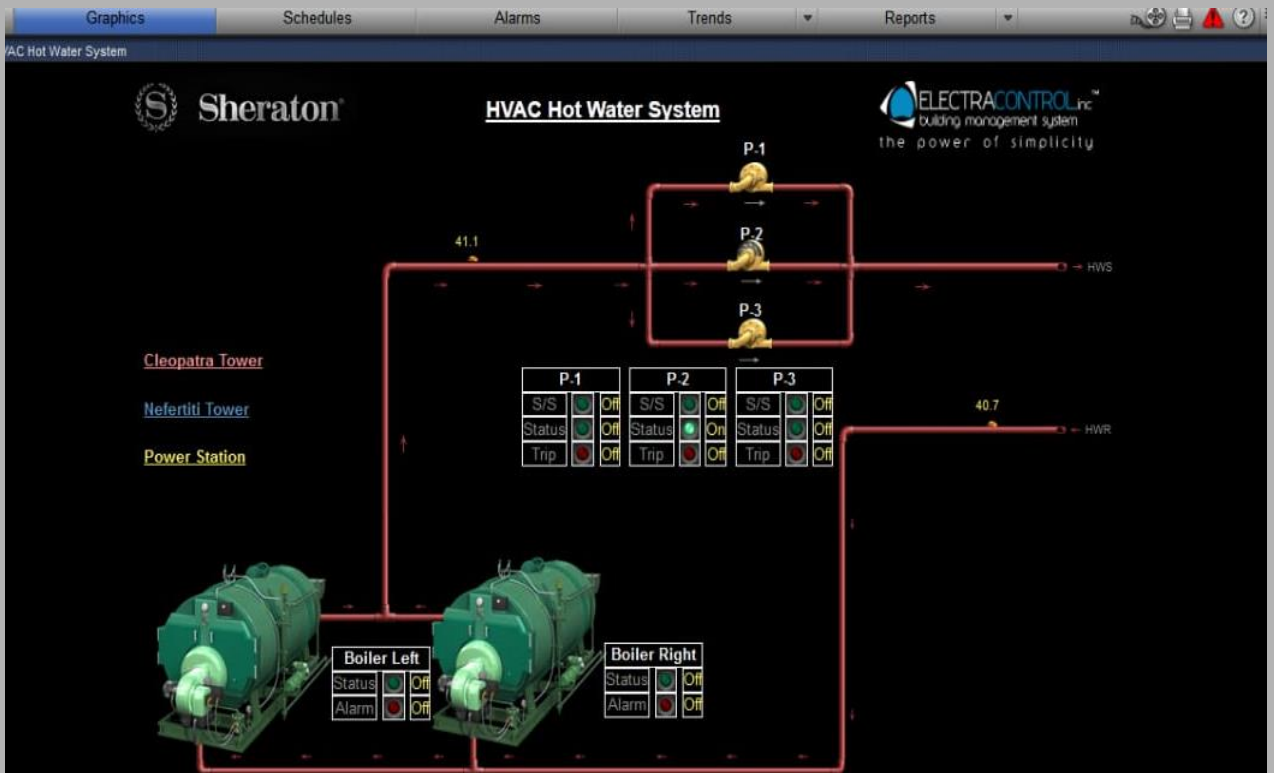
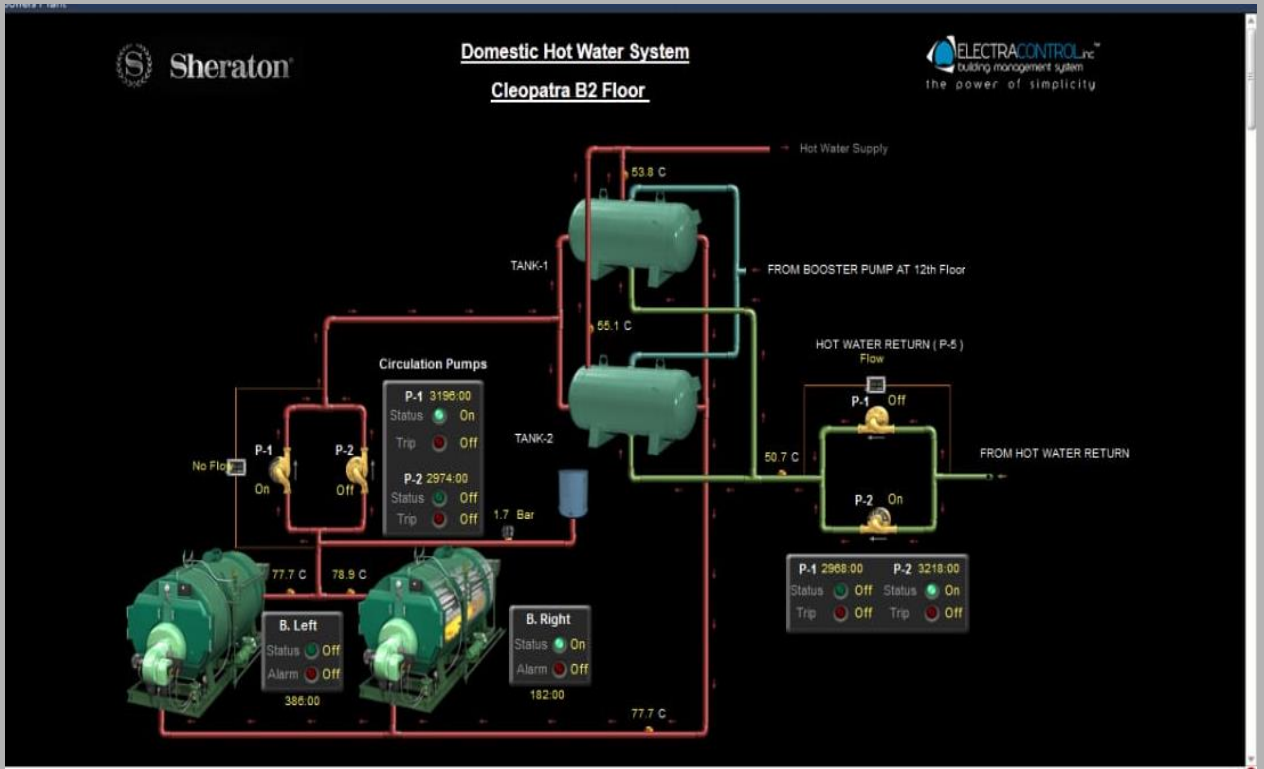
6.75

4:00 PM Sep 15 8:00 AM

[Cleopatra Tower](#)

[Nefertiti Tower](#)

[Power Station](#)



Graphics Properties Schedules Alarms Trends Logic Reports

AHU_29 (Fitness Center)

Sheraton ELECTRACONTROL inc. building management system the power of simplicity

AHU_29 (Fitness Center) off auto

Occupied until 11:00 PM

20.9 °C

Cleopatra Tower
Hefertiti Tower
Power Station

Filter Clean DPS Flow No Smoke 14.1 °C

Fee Alarm

Occupied Heating 17.00 Cooling 21.00

S/S On Status On Trip Off

cool source Open % Cooling Override

G.R 2069

Window Status Close
Override Off
Unoccupied Room

S/S Low

0 0
cooling source heating source
Reset Valves

setpoint adjusted by -6.5 °C
On By Guest
Automatic Mode

UNOCCUPIED Heating 23.00 Cooling 24.00

Graphics Properties Alarms Trends Logic Reports

Power Meter Transformer 4

Merlin Gerin

Power Status

Real Power, Total	431.00	KW
Reactive Power, Total	155.00	Kvar
Apparent Power, Total	458.00	KVA
Frequency	50.19	Hz
Power factor	0.9	

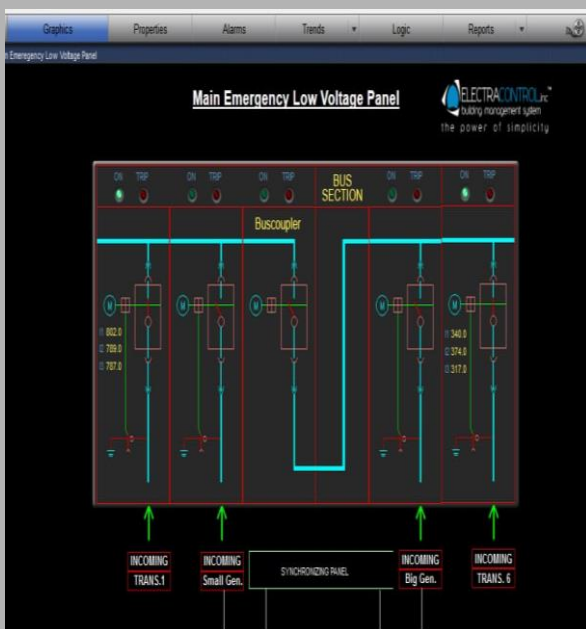
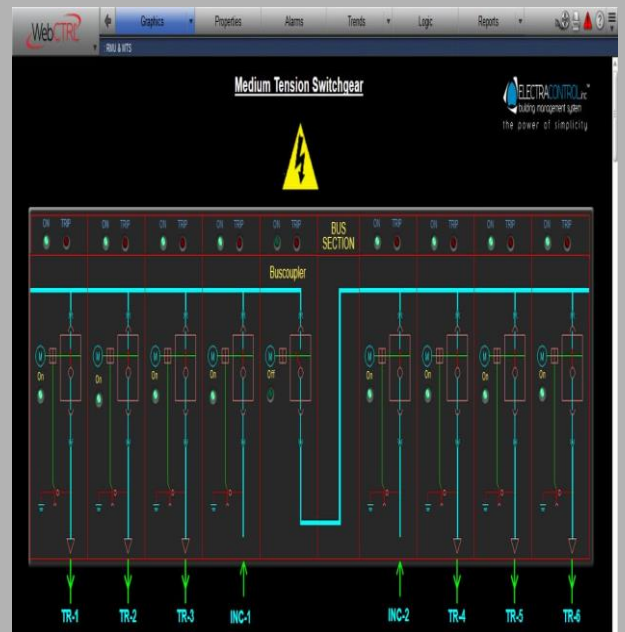
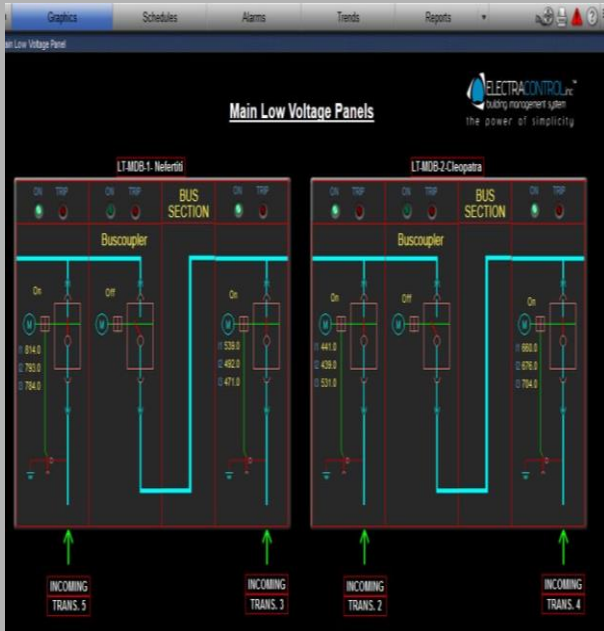
Current

Phase A	663.0	A
Phase B	669.0	A
Phase C	707.0	A
Neutral	45.0	A

Voltage

Phase A - B	386.2	V
Phase B - C	387.7	V
Phase C - A	387.2	V

Phase A 222.9 V
Phase B 223.3 V
Phase C 224.1 V



Booster Pumps

P-1	P-2	P-3
Status ● Off	Status ● On	Status ● Off
Trip ● Off	Trip ● Off	Trip ● Off

Logo: Sheraton
 Logo: ELECTRACONTROL inc. building management system the power of simplicity

Graphics Schedules Alarms Trends Reports

Fuel Oil System

Nefertit Fuel Oil System

Fuel Oil Tank	
Low Level	Off
Hi Level	Off

Fuel Oil Tank 1

Logo: ELECTRACONTROL building management system the power of simplicity

CONTACT US



(+20) 010 0602 0953
(+202) 26 70 2306



info@electracontrol.com



www.electracontrol.com